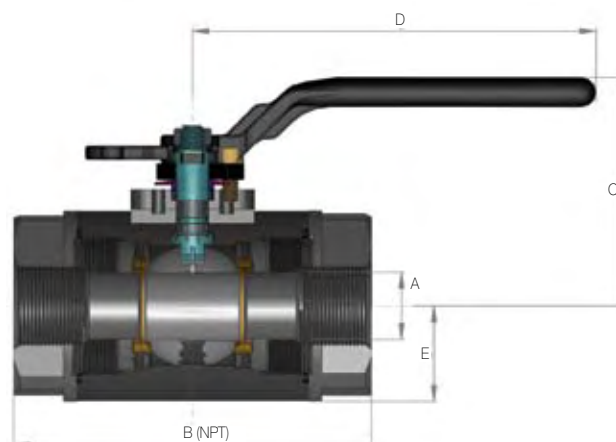


T3 class 2500 NPT/NPTxSW/SW/BW Ends

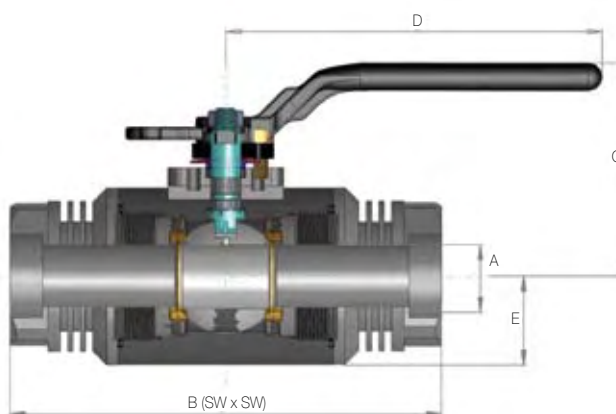
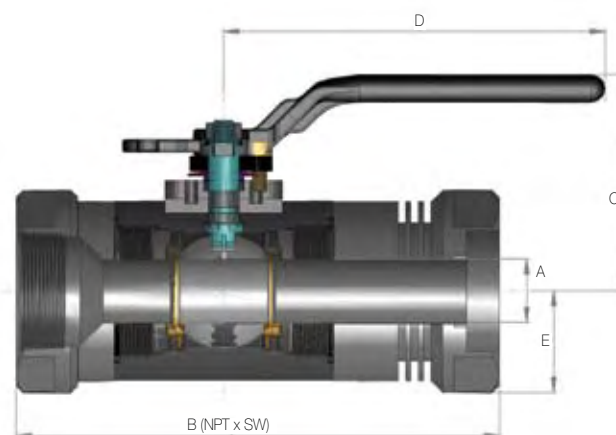
Product Features

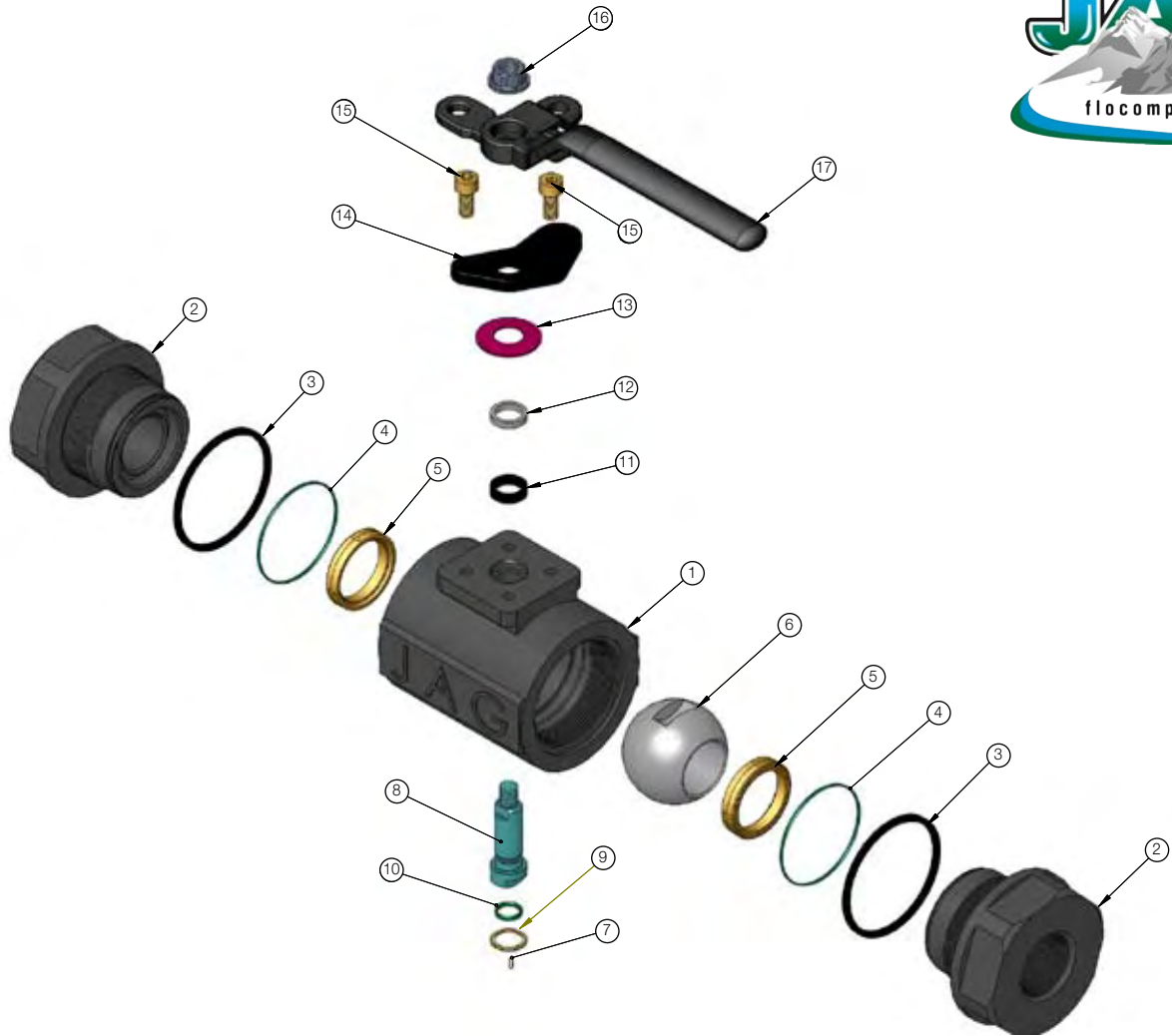
- Forged Body and End Closure
- 3 Piece Threaded Construction
- In-line Weldable
- Dual Stem Seal
- Full or Reduced Port
- ASME B16.34
- NACE MR0175
- Blow-out Proof Stem
- Anti-static Design
- NPT Ends to ASME B1.20.1
- SW Ends to ASME B16.11
- BW Ends to ASME 16.25
- Fire Safe to API 607
- Locking Handle
- CE marking / PED to 97/23/EC



*T3 valve also available in Hammer Union end configuration

T3 NPT/SW 2500 BOM						
No.	PART	QTY	Service			
			STANDARD	NACE	LOW TEMP NACE	STAINLESS STEEL
1	Body	1	A105	A105N	A350-LF2	A182-F316
2	End Cap	2	A105	A105N	A350-LF2	A479-316
3	Gasket	2	Graphite	Graphite	Graphite	Graphite
4	O-Ring	2	Viton	Viton	Viton	Teflon
5	Seat	2	PEEK	PEEK	PEEK	PEEK
6	Ball	1	17-4 ph	17-4 ph	17-4 ph	17-4 ph
7	Anti-Static Spring	1	304 SS	304 SS	304 SS	304 SS
8	Stem	1	AISI 4140	17-4 ph	17-4 ph	17-4 ph
9	Thrust Washer	1	PEEK	PEEK	PEEK	PEEK
10	O-Ring	1	Viton	Viton	Viton	Teflon
11	Stem Packing	1	Graphite	Graphite	Graphite	Graphite
12	Packing Follower	1	304 SS	304 SS	304 SS	304 SS
13	Belleville Washer	1	65Mn Spring Steel	65Mn Spring Steel	65Mn Spring Steel	304 SS
14	Gland Flange	1	WCB	WCB	WCB	WCB
15	Gland Bolt	2	Stainless Steel	Stainless Steel	Stainless Steel	Stainless Steel
16	Handle Nut	1	Carbon Steel	Carbon Steel	Carbon Steel	304 SS
17	Handle	1	Carbon Steel	Carbon Steel	Carbon Steel	304 SS





T3 SW 2500 DIMS																						
Size		Bore	A		B (NPT)		B (NPTxSW)		B (SWxSW)		C		D		E		Weight (NPT)		Weight (SW)		Weight (NPTxSW)	
in	mm	FP/ RP	in	mm	in	mm	in	mm	in	mm	in	mm	in	mm	in	mm	lbs.	kg.	lbs.	kg.	lbs.	kg.
1/4"	6.4	FP	0.50	12.7	3.86	98	4.44	112.8	5.00	127.0	3.26	82.8	6.5	165.1	0.87	22.1	3	1.4	4	1.8	4	1.8
3/8"	9.5	FP	0.50	12.7	3.86	98	4.44	112.8	5.00	127.0	3.26	82.8	6.5	165.1	0.87	22.1	3	1.4	4	1.8	3	1.4
1/2"	12.7	FP	0.50	12.7	4.37	111	4.69	119.1	5.00	127.0	3.26	82.8	6.5	165.1	0.87	22.1	3	1.4	4	1.8	4	1.8
3/4"	19.1	RP	0.50	12.7	4.37	111	5.57	141.4	6.75	172.0	3.26	82.8	6.5	165.1	0.94	23.9	4	1.8	5	2.3	4	1.8
		FP	0.75	19.0	4.25	108	5.50	139.7	6.75	172.0	3.67	93.2	8.5	214.9	1.18	30.0	6	2.7	7	3.1	7	3.1
1"	25.4	RP	0.75	19.0	5.24	133	6.00	152.4	6.75	172.0	3.67	93.2	8.5	214.9	1.18	30.0	6	2.7	8	3.6	7.2	3.25
		FP	1.00	25.4	5.39	137	6.07	154.1	6.75	172.0	3.93	99.8	8.5	214.9	1.40	35.6	9	4.1	11	5	10	4.5
1-1/4"	31.8	RP	1.00	25.4	6.43	163	7.46	190.0	8.50	217.0	3.93	99.8	8.5	215.9	1.40	35.6	11.3	5.1	14.3	6.5	13.2	6
		FP	1.50	38.0	6.30	160	7.38	188.0	8.50	217.0	5.30	134.6	10.0	254.0	2.02	51.3	19.5	8.8	24.2	11	22.2	10.1
1-1/2"	38.1	RP	1.00	25.4	6.43	163	7.46	190.0	8.50	217.0	3.93	99.8	8.5	215.9	1.40	35.6	11	5	14	6.36	13	5.9
		FP	1.50	38.0	6.30	160	7.38	188.0	8.50	217.0	5.30	134.6	10.0	254.0	2.02	51.3	19	8.6	24	10.9	22	10
2"	50.8	RP	1.50	38.0	7.40	188	7.96	202.5	8.50	217.0	5.30	134.6	10.0	254.0	2.02	51.3	23	10.4	25	11.3	24	10.9
		FP	2.00	50.8	6.26	159	8.05	204.5	9.85	250.0	6.30	160.0	12.4	315.0	2.61	66.3	33	15	44	20	38	17.2
3"	76.2	RP	2	50.8	10.28	261	12.76	324	11.52	292.5	7.48	190	16.15	410	3.65	70.5	54.5	24.75	66.7	30.3	59.3	26.9

Dimensions +/- 0.059 in (+/- 1.5mm)