

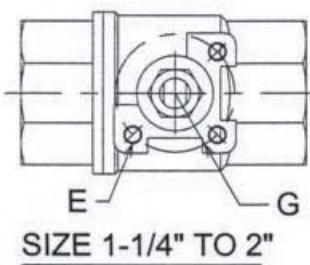
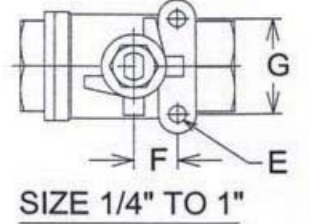
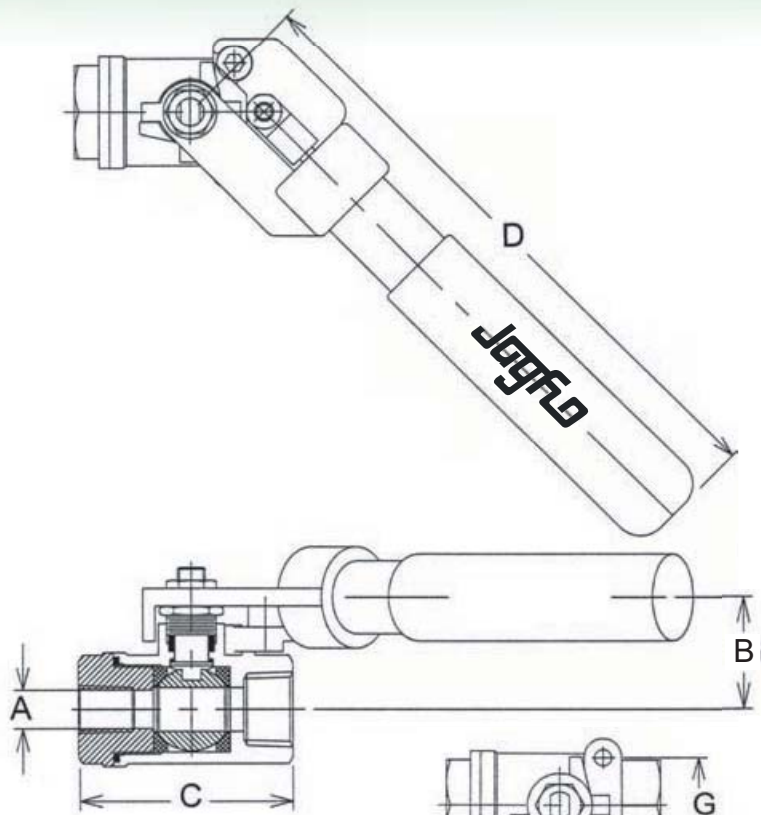


Style C2-HSR

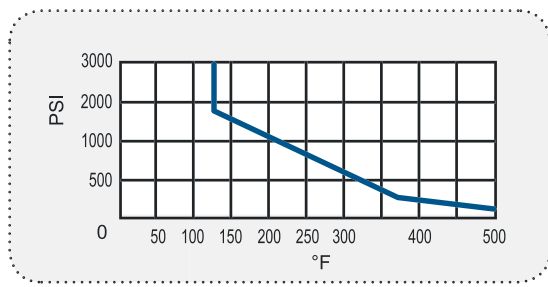
Product Features

- 2000 WOG Regular Port Ball Valve
- Threaded Two-piece 316 SS Body Design
- 316 SS (Nace) Trim
- NPT Ends
- Hidden Spring Return (inside the handle)

| PART | MATERIAL |
|---------------|--------------------------|
| HANDLE GRIP | VINYL |
| HANDLE | SS304 |
| HANDLE NUT | CS PLATED |
| GLAND | CS A108 |
| STEM | SS316 A276 |
| PACKING | PTFE |
| THRUST WASHER | REINFORCED TEFLON 15% GF |
| SEAT | REINFORCED TEFLON 15% GF |
| BALL | SS316 A276 |
| CAP | A351 CF8M |
| BODY | A351 CF8M |
| GASKET | PTFE |



| SIZE | 1/4" | 3/8" | 1/2" | 3/4" | 1" | 1 1/4" | 1 1/2" | 2" | |
|------|-----------------------|-------|-------|-------|-------|--------|--------|--------|--------|
| A | mm | 11 | 12.5 | 12.5 | 17.5 | 22 | 25 | 31.8 | 38 |
| | in | 0.433 | 0.492 | 0.492 | 0.689 | 0.866 | 0.984 | 1.252 | 1.496 |
| B | mm | 34 | 34 | 34 | 45 | 48 | 58 | 63.5 | 66.5 |
| | in | 1.338 | 1.338 | 1.338 | 1.771 | 1.889 | 2.283 | 2.5 | 2.618 |
| C | mm | 58.5 | 58.5 | 61.5 | 79.5 | 88.5 | 102 | 111 | 136.9 |
| | in | 2.303 | 2.303 | 2.421 | 3.130 | 3.484 | 4.015 | 4.370 | 5.390 |
| D | mm | 180 | 180 | 180 | 180 | 180 | 260 | 260 | 260 |
| | in | 7.086 | 7.086 | 7.086 | 7.086 | 7.086 | 10.236 | 10.236 | 10.236 |
| E | mm | M6 | M6 | M6 | M6 | M6 | M8 | M8 | M8 |
| | mm | 12.7 | 12.7 | 12.7 | 22.1 | 22.1 | - | - | - |
| F | in | 0.5 | 0.5 | 0.5 | 0.870 | 0.870 | - | - | - |
| | mm | 28.45 | 28.45 | 28.45 | 34.8 | 34.8 | Ø50 | Ø50 | Ø50 |
| G | in | 1.120 | 1.120 | 1.120 | 1.370 | 1.370 | Ø1.968 | Ø1.968 | Ø1.968 |
| | Cv(m ³ /h) | 6.8 | 6.8 | 9.8 | 25 | 35 | 47 | 81 | 105 |



We reserve the right to modify dimensions or materials.

JAG flocomponents n.a.
 8440 Roper Road
 Edmonton, Alberta T6E 6W4
 Tel: 780-485-2333 Fax: 780-485-2316

PRINTED IN CANADA
 06/07/2006 QTY1000

CAN C2H-0706

