

ACUTROL

DGO
SERIES

KGO
SERIES

*Declutchable
Gear
Override*



The Acutrol Declutchable Gear Override "sandwich mounts" between a pneumatic quarter-turn actuator and a ball, butterfly, plug or damper valve. This rugged device allows for manual operation during installation, system testing and in the event of a supply air failure.

The DGO Series mounts directly to many of the most popular rack and pinion style actuators on the market, and does not require a bracket between the pneumatic actuator and declutchable override. The units come complete with a three-stage coupler that connects to the pneumatic actuator through the gear override and to the valve (or coupler).

DGO / KGO SERIES

NO.	DESCRIPTION	MATERIAL		QTY
		ASTM	JIS	
14	Handle	A126 CL B	GC 200	1
13	Bolt & Nut	A 36	SS 41	2
12	Stopper	A276 - 410	STS 410	1
11	Lever Retainer	A 36	SS 41	2
10	Lever	A 36	SS 41	1
9	DU Bush	PURCHASE		2
8	Bearing	PURCHASE		2
7	Shaft Retainer	ANSI-1045	SM 45C	2
6	Shaft	ANSI-1045	SM 45C	1
5	Coupling	ANSI-1045	SM 45C	1
4	Worm Gear	ANSI-1045	SM 45C	1
3	Worm Wheel	A536	GCD 450	1
2	Cover	A126 CL. B	GC 200	1
1	Body	A126 CL. B	GC 200	1

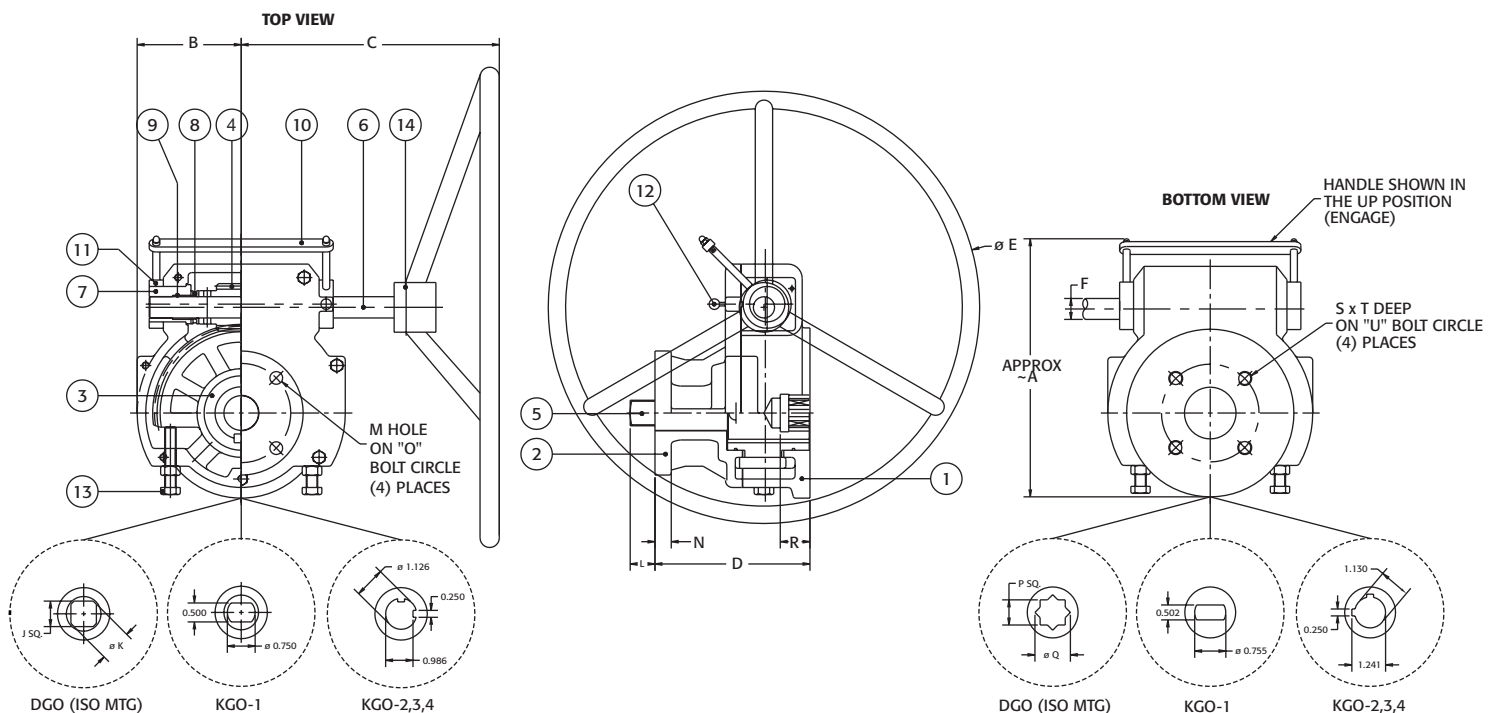
DGO

SERIES



DGO MOUNTING DIMENSIONS

	J	K DIA.	L	M DIA.	N	O DIA.	P	Q DIA.	R	S	T	U DIA.
DGO-1	0.748	1.03	0.63	0.39	0.52	2.756	0.748	1.02	0.83	5/16-18UNC	0.55	2.756
DGO-2	0.866	1.18	0.88	0.43	0.65	4.016	0.866	1.20	1.00	3/8-16UNC	0.65	4.016
DGO-3	1.063	1.46	1.07	0.55	0.65	4.921	1.063	1.47	1.14	1/2-13UNC	0.83	4.921
DGO-4	1.417	1.93	1.43	0.71	0.90	5.512	1.417	1.97	1.68	5/8-11UNC	0.88	5.512
DGO-5	1.811	2.5	2.00	0.86	1.25	6.496	1.811	2.50	2.10	3/4-10UNC	1.25	6.496



Output torques range from 3700 in. lbs. to 50,000 in. lbs. and cover a broad range of pneumatic actuator and quarter-turn valve sizes that require the convenience of a manual override.

There are two series available. The DGO Series matches the ISO 5211 bolt and drive dimensions which include a large number of pneumatic actuator manufacturers. The KGO Series includes four sizes and is designed for the popular 3-1/4" and 5" butterfly valve/direct mount configurations.

FEATURES

- ISO (DGO) and "Keystone" (KGO) Direct Mount Patterns
- Internal 3-stage coupler included (couple actuator/gear override/ and valve)
- Rugged declutch lever and engage knob
- Broad torque range with five sizes from 3700 in. lbs. to 50,000 in. lbs.
- BBV - Block and Bleed Valve (optional) to exhaust air

KGO

SERIES



KGO MOUNTING DIMENSIONS

	L	M	N	O	R	S	T	U
KGO-1	1.25	0.41	0.52	3.250	1.31	3/8-16UNC	0.56	3.250
KGO-2 *	2.00	0.56	0.65	5.000	2.06	1/2-13UNC	0.75	5.000
KGO-3	2.00	0.56	0.65	5.000	2.06	1/2-13UNC	0.75	5.000
KGO-4	2.00	0.56	0.90	5.000	2.06	1/2-13UNC	0.75	5.000

* KGO-2 also has 3.250 bolt pattern on the top and bottom mounting flange.

DIMENSIONS

	A	B	C	D	E DIA.	F DIA.	WEIGHT
DGO-1 / KGO-1	7.97	2.72	8.15	5.06	10.43	0.75	24
DGO-2 / KGO-2	9.70	3.33	8.82	6.20	15.24	0.98	55
DGO-3 / KGO-3	12.25	3.84	10.24	6.91	18.23	0.98	86
DGO-4 / KGO-4	15.77	5.79	14.35	8.27	25.59	1.10	145
DGO-5	20.69	8.27	15.34	9.23	33.46	1.30	280

TORQUE

	INPUT LBS	OUTPUT IN-LBS
DGO-1 / KGO-1	80	3732
DGO-2 / KGO-2	80	5989
DGO-3 / KGO-3	80	9114
DGO-4 / KGO-4	80	20745
DGO-5 / KGO-5	80	50602



BBV - Block and Bleed Valves

The BBV - Block and Bleed Valve shuts off the supply air and vents the pneumatic actuator, allowing manual operation (please see IOM 4001 for detailed information).

- Manual operation purges air from one side of the pistons to the other, preventing corrosive atmospheres from being drawn into the actuator.
- Direct mounts to the Namur air porting of the pneumatic actuator, eliminating tubing and fittings.
- Can be combined with other Namur accessories such as flow controls and TVC solenoid valves.



Acutrol also offers gear operators that can be mounted to all types of quarter-turn valves.

Accessories and options also available.



Chainwheels



Extension Stems



Limit Switches