



The Valvetop DXP discrete valve controller combines bus networking, pilot valve and position sensors into a single, globally certified, explosion proof enclosure that attaches to any automated valve package.

Features:

- Zone 0 Intrinsically Safe
- Zone 1 Flameproof/Explosion Proof
- Tropicalized Aluminum Enclosure

Options:

- GO[®] Switch Leverless Limit Switches
- FOUNDATION Fieldbus
- AS-Interface
- DeviceNet
- 4-20mA Position Transmitter
- HART Protocol
- Proximity Switches
- Mechanical Switches



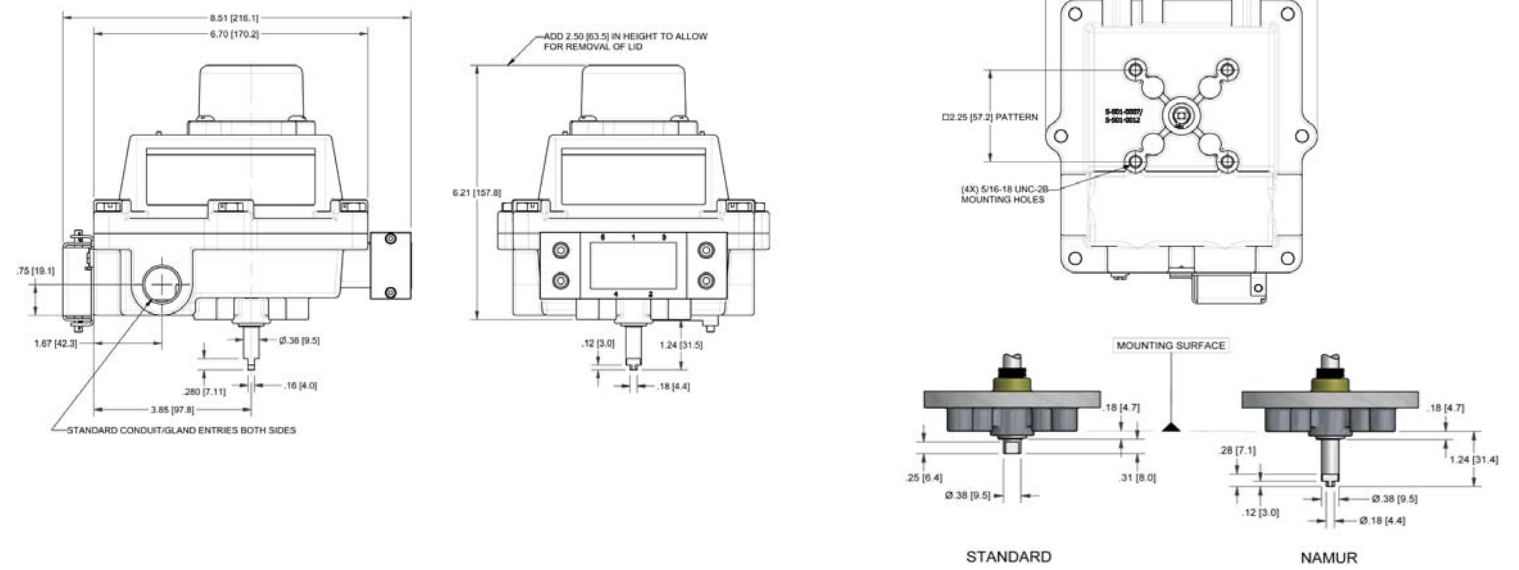
FAST TRACK DELIVERY

| | |
|--|--|
| DXP-L21G_EB (2) GO Switches Explosion Proof | DXP-AS1G_EB AS-Interface Explosion Proof |
| DXP-L21G_EB1A2 (2) GO Switches Explosion Proof 24VDC 5/4 Aluminum pilot valve | DXP-0X1G_EB 4-20 mA Transmitter Explosion Proof |
| DXP-FF□G_EBPA2 FOUNDATION Fieldbus Exp. Proof or Intr. Safe 5/4 Aluminum pilot valve | DXP-Z21G_EB (2) SPDT GO Switches Explosion Proof |
| DXP-AS1G_EB1A2 AS-Interface Explosion Proof 5/4 Aluminum pilot valve | DXP-0H1G_EB HART Communications Explosion Proof |
| | DXP-M21G_EB (2) Mechanical Switches Explosion Proof |

□ For Area Class, choose 0 (I.S.) or 1 (Exp. Proof)
 _ For Shaft, choose S or N

Discrete Valve Control

Dimensions



| Enclosure | Bus/Sensor | Area Classification | Visual Display | Shaft | Conduit Entries | O-Rings | Pilot | Spool Valve | Valve Cv | Manual Override | Regional Certs |
|---|---|--|--|---|---|--|--|--|---|--|---|
| <p><input checked="" type="checkbox"/> DXP</p> <p>Enclosure: Die-cast, aluminum; Powder-coated O-Ring sealed</p> <p>Coating: Tropicalized inside and out</p> <p>Cover bolts: 6 stainless steel captive cover bolts</p> <p>Terminal Strip: Standard 12 pt. molded nylon</p> <p>Temperature Rating: Determined by internal components - Consult Factory</p> <p>Environment: Built to last in the most demanding applications</p> | <p>Bus Network</p> <p><input checked="" type="checkbox"/> AS AS-Interface (Area class cannot be 0)</p> <p><input checked="" type="checkbox"/> FF FOUNDATION Fieldbus (Pilot P, R, or U only)</p> <p><input checked="" type="checkbox"/> DN DeviceNet (Area class cannot be 0)</p> <p>Partial Stroke Test</p> <p><input checked="" type="checkbox"/> ES ESD/PST Module w/GO Switch (Area class cannot be 0 or 2)</p> <p>GO Switches (hermetic seal)</p> <p><input checked="" type="checkbox"/> L2 (2)GO Switches SPDT</p> <p><input checked="" type="checkbox"/> L4 (4)GO Switches SPDT</p> <p><input checked="" type="checkbox"/> Z2 (2)GO Switches DPDT</p> <p><input checked="" type="checkbox"/> Z4 (4)GO Switches DPDT</p> <p>Mechanical Switches (Area class cannot be 2)</p> <p><input checked="" type="checkbox"/> M2 (2)Mech SPDT</p> <p><input checked="" type="checkbox"/> M4 (4)Mech SPDT</p> <p><input checked="" type="checkbox"/> M6 (6)Mech SPDT</p> <p><input checked="" type="checkbox"/> T2 (2)Mech DPDT</p> <p><input checked="" type="checkbox"/> K2 (2)Mech SPDT gold contacts</p> <p><input checked="" type="checkbox"/> K4 (4)Mech SPDT gold contacts</p> <p>Proximity Switches</p> <p><input checked="" type="checkbox"/> PN (2) SPDT Module w/o LED's 1A max</p> <p><input checked="" type="checkbox"/> PS (2) SPDT Module w/LED's 250mA max</p> <p>Inductive NAMUR Sensors</p> <p><input checked="" type="checkbox"/> E2 (2) p+f NJ2+V3-N</p> <p><input checked="" type="checkbox"/> E4 (4) p+f NJ2+V3-N</p> <p>Analog Output (Available with 2-switch options only for L,Z,M,K,E,T)</p> <p><input checked="" type="checkbox"/> X 4-20mA transmitter</p> <p><input checked="" type="checkbox"/> H 4-20mA transmitter w/HART (Must not be switch option T)</p> <p>Examples: LX = (2)GO Switches w/transmitter 0X = no switches 4-20mA transmitter LH = (2)GO Switches w/HART</p> | <p><input checked="" type="checkbox"/> 0 Intrinsically safe (Bus/sensor cannot be AS, DN, ES, or X; Requires appropriate I.S. barrier) - North America Class I Div 1&2 Groups A, B, C, D; Type 4, 4X -ATEX/IECEX Zone 0; II1G, II2D, II2GD Ex ia IIC; Ex tb IIIC, Db IP67</p> <p><input checked="" type="checkbox"/> 1 Explosion proof / Flame proof - North America Class I Div 1&2 Groups C, D; Class I Div 2, Groups A, B, C, D. (Groups A & B must be hermetically sealed) Type 4, 4X, 7 -ATEX/IECEX (O-Rings must be S or E for DUST certification) Zone 1; II2G, II2GD Ex d IIB+H2; Ex tb IIIC Db, IP67</p> <p><input checked="" type="checkbox"/> 2 Non-incendive (Bus/sensor must be L, Z, P, AS, FF or DN; O-Rings must be S or E for DUST certification) ATEX II3G Ex nC ID, IP67</p> <p>C Flameproof (Conduit entries must be E or M) ATEX/IECEX II2G, II2GD; Ex d IIC Ex tb IIIC Db, IP67</p> <p>W No approvals IP67</p> | <p>Visual Display: Impact resistant polycarbonate; O-ring sealed; 360° adjustable</p> <p><input checked="" type="checkbox"/> G Standard 90° Green OPEN, Red CLOSED</p> <p><input checked="" type="checkbox"/> B 90° Black OPEN, Yellow CLOSED</p> <p><input checked="" type="checkbox"/> Y 90° Yellow OPEN, Black CLOSED</p> <p><input checked="" type="checkbox"/> 1 3 way, 90° L Port</p> <p><input checked="" type="checkbox"/> 3 3 way, 90° T Port</p> <p><input checked="" type="checkbox"/> 5 3 way, 90° T Port</p> <p><input checked="" type="checkbox"/> 7 3 way, 180° T Port 3 position</p> <p><input checked="" type="checkbox"/> 9 3 way, 180° T Port 3 Position</p> | <p><input checked="" type="checkbox"/> S 1/2" DD 304 stainless steel</p> <p><input checked="" type="checkbox"/> N NAMUR 304 stainless steel</p> | <p><input checked="" type="checkbox"/> E (2) 3/4" NPT</p> <p>4 (2) 3/4" NPT (2) 1/2" NPT</p> <p>M (2) M20</p> <p>3 (4) M20</p> <p>6 (4) 3/4" NPT</p> | <p><input checked="" type="checkbox"/> B Buna-N</p> <p>S Silicone</p> <p>E EPDM</p> <p>V Viton</p> | <p><input checked="" type="checkbox"/> Blank No pilot device(s)</p> <p><input checked="" type="checkbox"/> 1 (1) 24 Vdc pilot, .5W, fail open/closed</p> <p>2 (2) 24 Vdc pilots, .5W, fail last position</p> <p>3 (2) 24 Vdc pilots, .5W, block center</p> <p>4 (1) 220 Vac pilot, 1.9W, fail open/closed</p> <p>5 (2) 220 Vac pilots, 1.9W, fail last position</p> <p>6 (2) 220 Vac pilots, 1.9W, block center</p> <p>7 (1) 110 Vac pilot, 1.1W, fail open/closed</p> <p>8 (2) 110 Vac pilots, 1.1W, fail last position</p> <p>9 (2) 110 Vac pilots, 1.1W, block center</p> <p><input checked="" type="checkbox"/> P (1) piezo pilot, fail open/closed (FF only)</p> <p>R (2) piezo pilots, fail last position (FF only)</p> <p>U (2) piezo pilots, block center (FF only)</p> | <p><input checked="" type="checkbox"/> Blank No Spool Valve</p> <p><input checked="" type="checkbox"/> A Aluminum Hard coat anodized</p> <p>S 304 Stainless steel</p> <p>6 316 Stainless steel</p> | <p><input checked="" type="checkbox"/> Blank No Spool Valve</p> <p><input checked="" type="checkbox"/> 2 1.2 Cv (1/4" NPT Ports)</p> <p>3 3.0 Cv (1/2" NPT Ports)</p> <p>C Cold temperature valve 1.0 Cv (1/4" NPT Ports) (Sensors L2, Z2, or FF only; O-Ring E or S only; Spool Valve S or 6 only) Bus/sensor L or Z = -50°C Bus/sensor FF = -30°C</p> | <p><input checked="" type="checkbox"/> Blank No override</p> <p>1 Single Pushbutton Momentary/Latching</p> <p>2 Dual Pushbutton Momentary/Latching</p> <p>3 Single Pushbutton Momentary</p> <p>4 Dual Pushbutton Momentary</p> <p>5 Manual Reset No voltage release latching with pushbutton (Consult factory if used with ES sensor option) (Spool valve must be 6)</p> <p>A Single palm actuator Momentary/Latching</p> <p>B Dual palm actuator Momentary/Latching</p> <p>C Single palm actuator Momentary</p> <p>D Dual palm actuator Momentary</p> <p>E Manual Reset No voltage release latching with palm actuator (Consult factory if used with ES sensor option) (Spool valve must be 6)</p> <p>T Partial stroke test button with lockable cover (Sensor ES only) (Not avail w/ Area Class C) (Conduit Entries 4 or 3 only)</p> | <p><input checked="" type="checkbox"/> Blank No Regional Cert</p> <p>B InMetro</p> <p>N NEPSI</p> <p>R GOST</p> <p>F FISCO (Bus/Sensor must be FF; Area Class must be 0)</p> |
| <p>Enclosure</p> <p>DXP</p> | <p>Bus/Sensor</p> <p>---</p> | <p>Area Classification</p> <p>---</p> | <p>Visual Display</p> <p>---</p> | <p>Shaft</p> <p>---</p> | <p>Conduit Entries</p> <p>---</p> | <p>O-Rings</p> <p>---</p> | <p>Pilot</p> <p>---</p> | <p>Spool Valve</p> <p>---</p> | <p>Valve Cv</p> <p>---</p> | <p>Manual Override</p> <p>---</p> | <p>Regional Certs</p> <p>---</p> |

See Next Column