

TRIAQ[™]

CONTROLS

A Division of AT Controls

*Pneumatic &
Electro-Pneumatic*
POSITIONERS



*and Controls for
Complete Valve
Automation*

PPR
Pneumatic
Positioners



Features

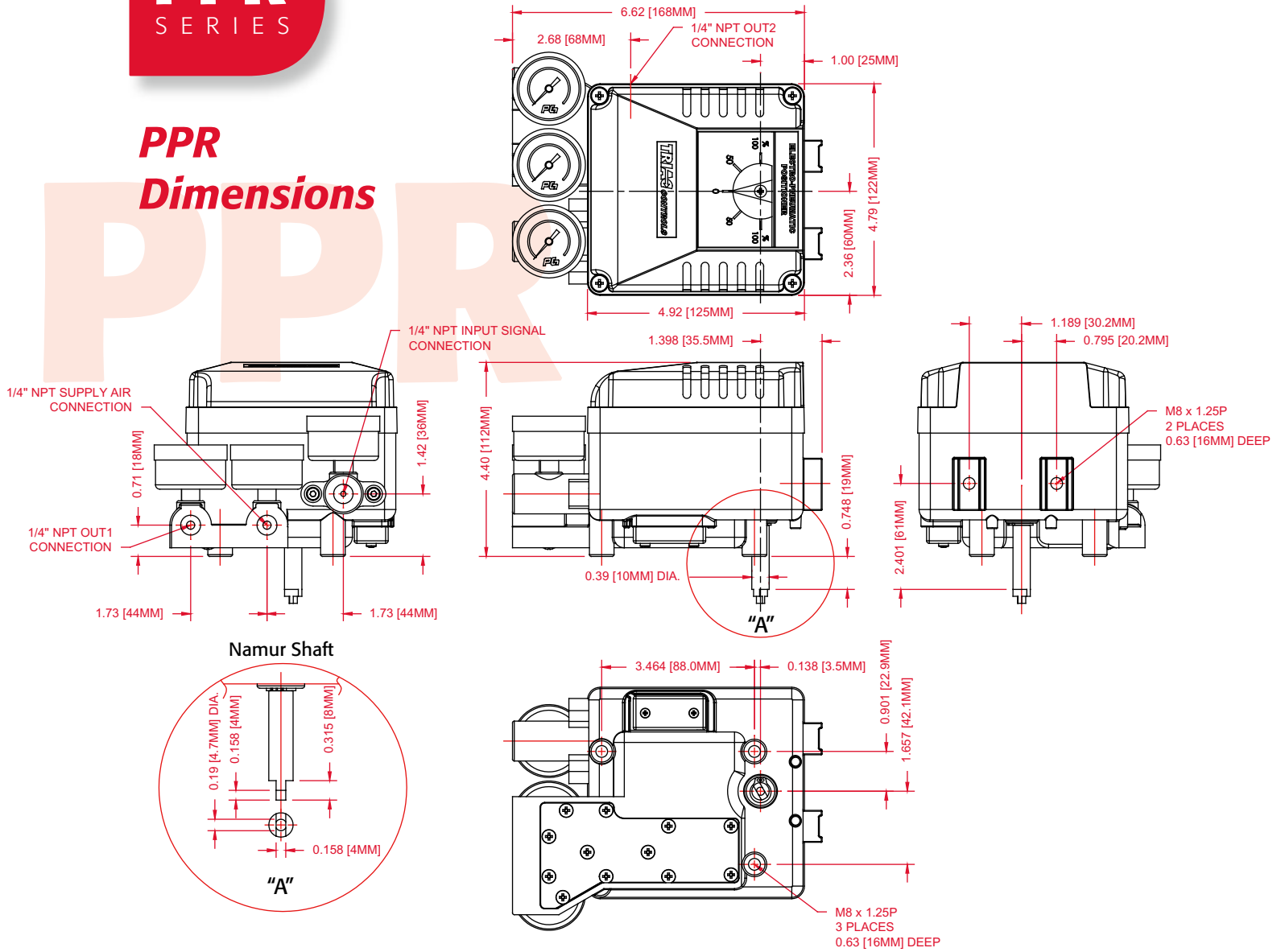
- Available in rotary (PPR) or linear (PPL)
- Precise calibration with simple span and zero adjustments
- Direct or reverse action
- Split range available
- Rugged aluminum enclosure with epoxy coating
- Vibration resistant
- Stainless steel gauges standard
- Various orifices available to increase/decrease flow

Specifications

Type Item	PPL		PPR	
	Linear Type (lever feedback)		Rotary Type (cam feedback)	
	Single	Double	Single	Double
Input Signal	3–15 psi (0.2–1.0 kgf/cm ²) (NOTE 1)			
Supply Air Pressure	100 psi Max. (7.0 kgf/cm ²)			
Standard Stroke	10–80 mm (NOTE 2)		60–100° (NOTE 3)	
Air Piping Connection	1/4" NPT			
Ambient Temperature	-4–158°F (-20–70°C)			
Pressure Gauge	Stainless Steel			
Output Characteristics	Linear			
Linearity	Within ±1.0% F.S.		Within ±1.5% F.S.	
Sensitivity	Within 0.1% F.S.		Within 0.5% F.S.	
Hysteresis	Within 0.5% F.S.		Within 1.0% F.S.	
Repeatability	Within ±0.5% F.S.			
Air Consumption	0.18 CFM @ 20 psi			
Flow Capacity	2.83 CFM @ 20 psi			
Material	Aluminum Diecast Body			
Weight	4.63 lbs			

NOTE: 1) Split range is available
 2) Feedback lever for stroke 80–150mm is available (PPL)
 3) Stroke can be adjusted to 0°–60° or 0°–100° (PPR)

PPR
Dimensions



Call for PPL (Linear) dimensional info.

Available Models

PPR-1200	TRIAC 3-15psi Pneumatic Positioner
PPR-1200 LS	TRIAC 3-15psi Pneumatic Positioner with (2) spdt limit switches

EPR
Pneumatic
Positioners



Features

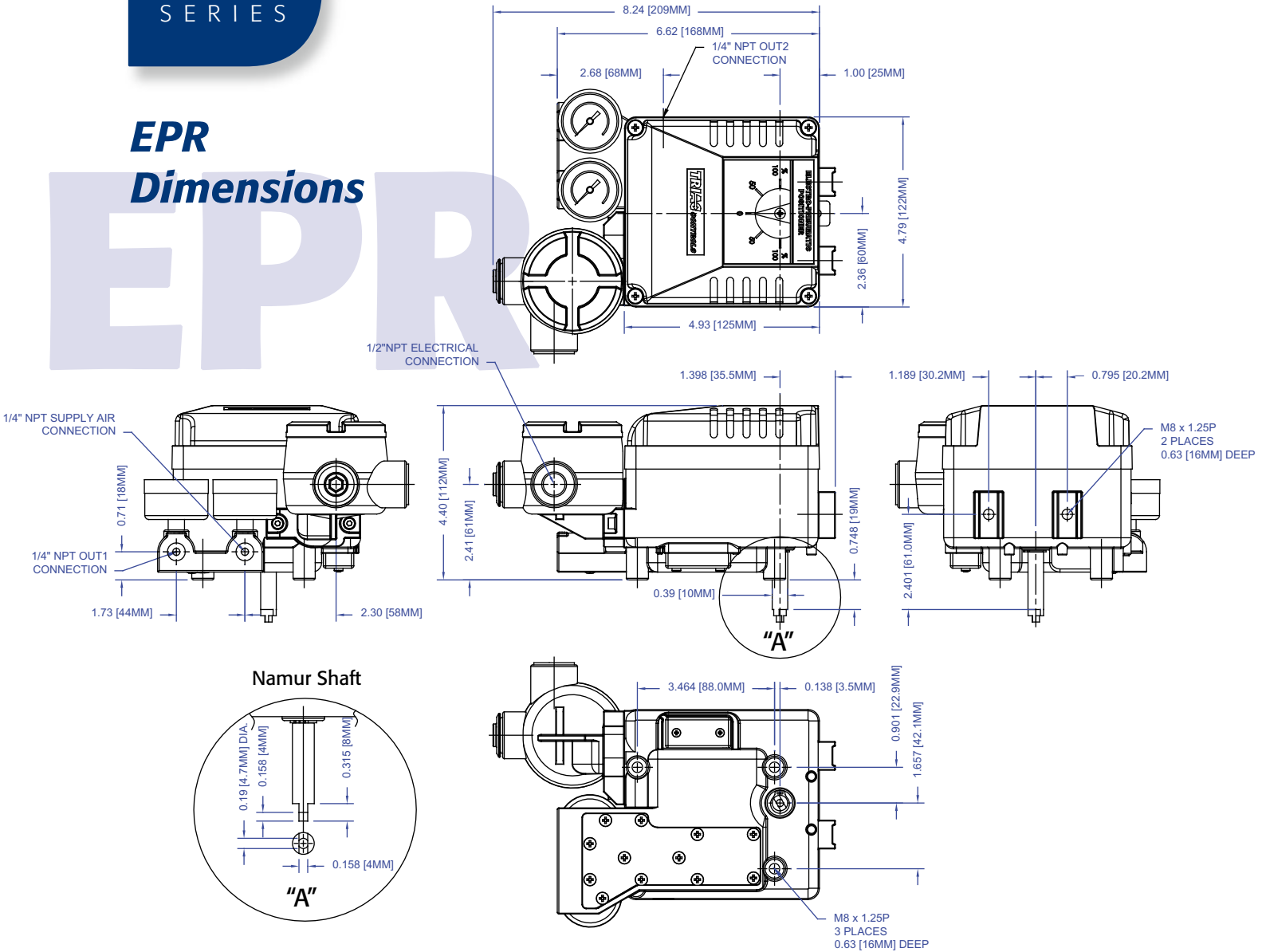
- Available in rotary (EPR) or linear (EPL)
- Precise calibration with simple span and zero adjustments
- Direct or reverse action
- Split range available
- Rugged aluminum enclosure with epoxy coating
- Vibration resistant
- Stainless steel gauges standard
- Various orifices available to increase/decrease flow
- Certified for ATEX, Eex md IIB T5 (05 ATEX 1076X) by NEMKO in conformance with EN50014:1997, EN50018:2000 and EN50028:1987

Specifications

Type Item	EPL		EPR	
	Linear Type (lever feedback)		Rotary Type (cam feedback)	
	Single	Double	Single	Double
Input Signal	4...20 mA DC (NOTE 1)			
Input Resistance	235±15			
Supply Air Pressure	Max.100 psi (7.0 kgf/cm ²)			
Standard Stroke	10–80mm (NOTE 2)		60–100° (NOTE 3)	
Air Piping Connection	1/4" NPT			
Conduit Connection	1/2" NPT			
Explosion-Proof Classification	Exmd II BT6, Exmd II C(H ²)T6, IP66, Exia II BT6			
Ambient Temperature	-4 – 158°F			
Pressure Gauge	Stainless Steel			
Output Characteristics	Linear			
Linearity	Within ±1.0% F.S.		Within ±1.5% F.S.	
Sensitivity	Within 0.1% F.S.		Within 0.5% F.S.	
Hysteresis	Within 0.5% F.S.		Within 1.0% F.S.	
Repeatability	Within ±0.5% F.S.			
Air Consumption	.18 CFM @ 20 psi			
Flow Capacity	2.83 CFM @ 20 psi			
Material	Aluminum Diecast Body			
Weight	6.5 lbs. with a terminal box			

NOTE: 1) 1/2 split range can be adjusted
 2) Feedback lever for stroke 80–150mm is available (EPL)
 3) Stroke can be adjusted to 0°–60° or 0°–100° (EPR)

EPR
Dimensions



Call for EPL (Linear) dimensional info.

Available Models

EPR-1000	TRIAC 4-20mA Electro- Pneumatic Positioner
EPR-1000 LS	TRIAC 4-20mA Electro-Pneumatic Positioner with (2) spdt limit switches
EPR-1000 TR	TRIAC 4-20mA Electro-Pneumatic Positioner with 4-20mA Transmitter
EPR-1000 LSTR	TRIAC Electro-Pneumatic Positioner with 4-20mA Transmitter and (2) spdt Limit Switches

YT
SERIES

SER 1000
"Smart" Positioner

- Auto-calibrate
- Selectable input
- Digital precision control
- Low air consumption
- DA & RA detection is automatic



YT Series
Available

YT



YT 1000R
Electro-Pneumatic

- FM Approved
- Explosion Proof
 - Class 1, Division 1
 - Groups C & D
 - Class II/III, Division 1
 - Groups E, F & G

or

- CSA Approved
- Explosion Proof
 - Class 1, Zone 1
 - Groups IIB, T5



YT 1200R
Pneumatic



YT 1050R



YT 2350R
Stainless Enclosure
Electro-Pneumatic
Smart Positioner - Hart Protocol



YT 2300R
Aluminum Enclosure
Electro-Pneumatic
Smart Positioner - Hart Protocol



YT 2500+LS-3
Fail-Freeze Electro-Pneumatic



YT 1350R
Stainless Enclosure
Pneumatic

Also Available

Siemens PS-2 Series



6DR521

(Call for complete part numbers)

Digital Electro-Pneumatic
with Hart Protocol

Profibus PA

Foundation Fieldbus



ABB TZID

(Call for complete part numbers)

Digital Electro-Pneumatic
with Hart Protocol

Profibus PA

Foundation Fieldbus

FM & CSA Approved

- Explosion Proof
- Class 1, Division 1
- Group C & D

ATEX Approved

- EExd IIC, T4, T5, T6

Other Control Accessories

- Single and Dual Lockup Valves
- Filter Regulators
- Flow Controls and Speed Controls
- Volume Boosters



 **A-T Controls, Inc.**

Triac Division
11363 Deerfield Rd.
Cincinnati, Ohio 45242
(513) 247-5465
FAX (513) 247-5462

e-mail: sales@a-tcontrols.com
www.a-tcontrols.com